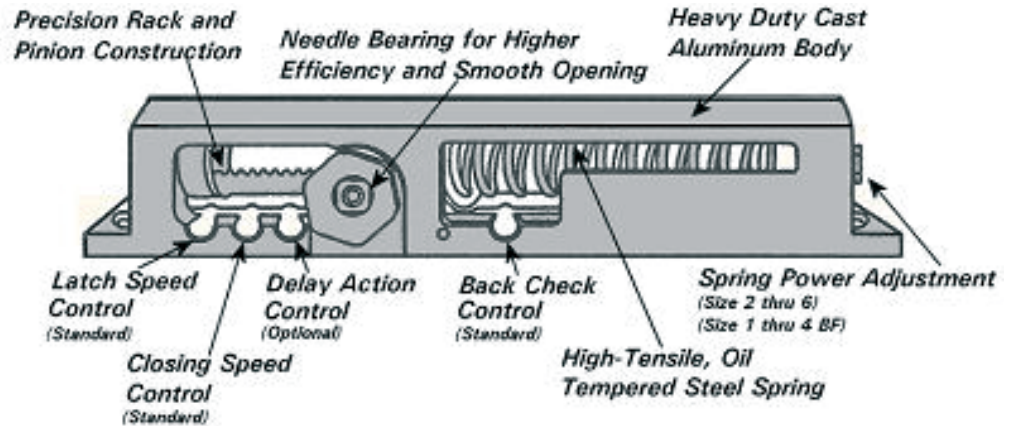


Heavy Duty Commercial Door Closer



FEATURES

- Tri-Pack with regular, parallel and top-jamb mounting, instructions and full size template.
- Standard spring adjustment from size 2 to 6
- Non handed
- Standard with adjustable sweep, latch and back check.
- Full plastic cover
- **SNB** - Sex Nuts and Bolts
- Standard hole pattern and mounting location.

OPTIONS

- **BF** - Barrier free spring adjustment from size 1 to 4
- **DA** - Delay Closing Action.
- **H** - Friction Hold-Open Non-Handed Arm.
- **CUSH** - Heavy Duty Parallel Mount Cush Arm.
- **HCUSH** - Heavy Duty Parallel, Hold-Open Cush Arm.
- **PTDC7018** - Drop Plate, Pull-side Mount
- **PTDC7018TJ** - Back Plate - Top Jamb Mount Plate.
- **TRACK** - Slide Track Arm.

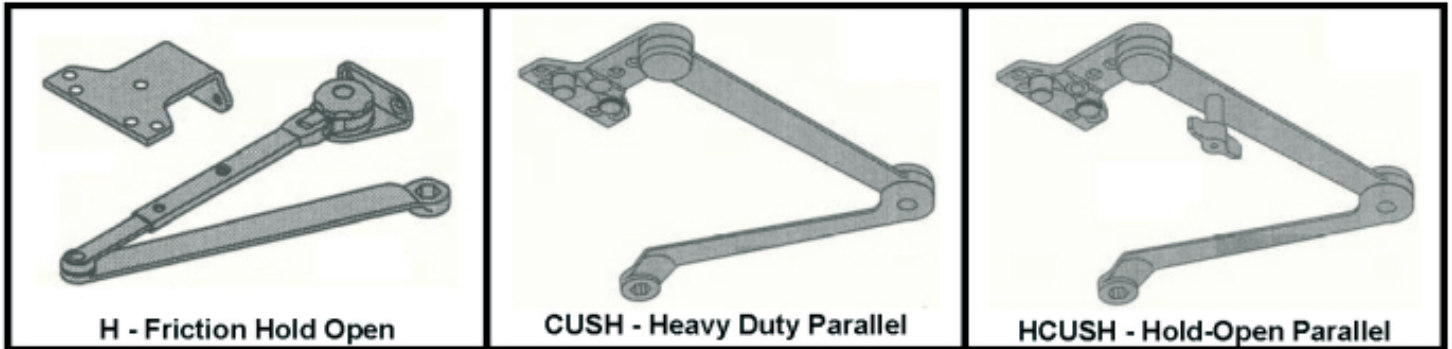
Shipping Weight

TDC70 = 7 lbs
TDC50 = 6 lbs
TDC90 = 6 lbs

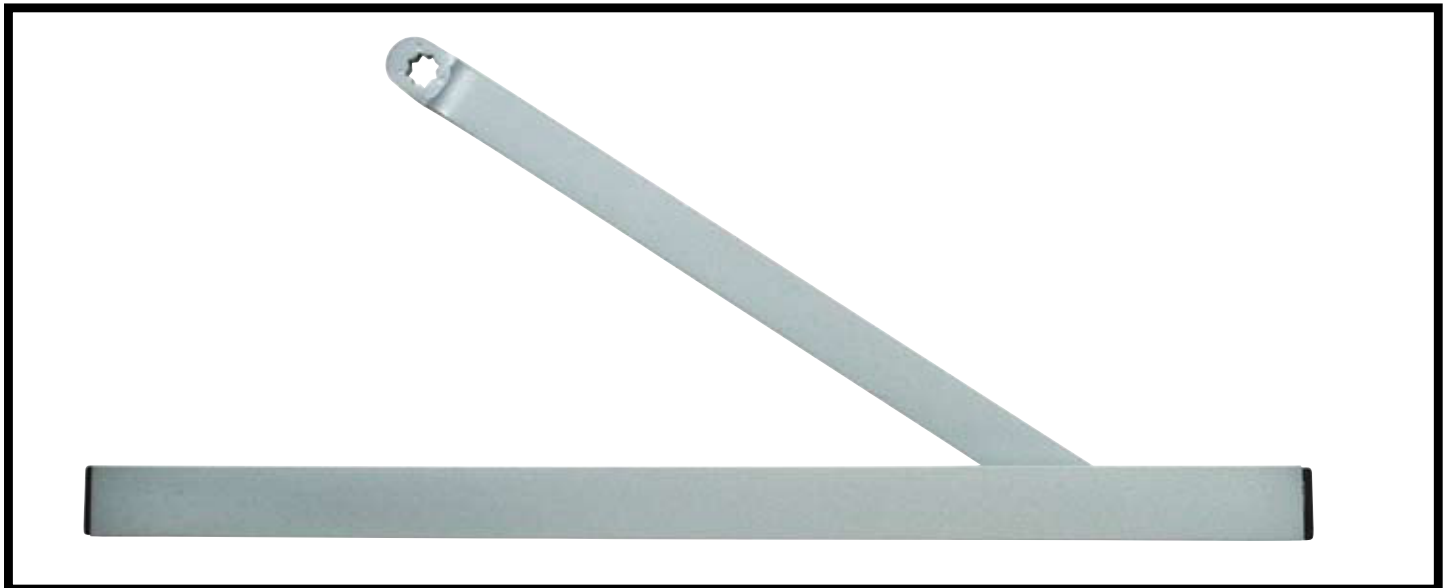
SPECIFICATIONS

Closer - Closers shall be by **TownSteel** model number TDC70 and TDC70BF, full rack and pinion type with cast aluminum alloy body. All closers shall be provided with non-critical hex-key adjustment to independently regulate the sweep, latch and back-check. Closer shall be non-handed with full cover and projection of 2-1/2" from the surface of the door. Closer shall have full spring adjustment from size 1 to size 4 for barrier free (BF) size and size 2 to size 6 for standard size. The closer shall be pre-adjusted at the factory to size 2 for TDC70BF and size 3 for TDC70. Each closer shall be adjusted for each door condition and mounted to allow the maximum degree of swing.

Door Closer Arms



Track - Slide Track Arm



Closer Back Plates

Door Closer and Cover

